

# SECUROL100 specifications

## General information

Designated use For small- and medium-sized transport tasks for industries where traceability and security are important.

Type Conveyor top module

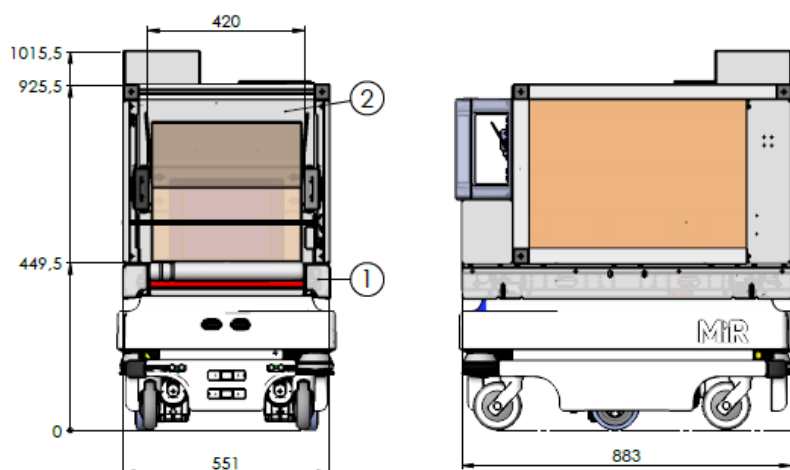
Material Metal structure and plastic see trough panels

## Dimensions and payload

Maximum payload 70 kg with MiR100  
170 kg with MiR 200

Roller height 450 mm

Roller area 420 mm x 860 mm



## Communication

---

Communication	Via MiR interface
---------------	-------------------

---

I/O connections	Hardwired via 24Vdc signals (via Weiss module)
-----------------	--

---

## Traceability and security features

---

Fully protected from all sides	Yes
--------------------------------	-----

---

Monitored access point	1
------------------------	---

---

Guiding rails for reliable infeed	Yes
-----------------------------------	-----

---